

AR-PH78-DWT

www.ARKROCKET.com

ARKROCKET INC.

Atlanta, GA

1 Safety Instructions

2 Your Revive Turntable

- 2.1 Top View
 - 2.2 Back View
-

3 Setting Up Your Turntable

- 3.1 Installing The Platter And Turntable Mat
 - 3.2 Installing the Lid
 - 3.3 Cartridge Tracking Force Adjustment
-

4 Using Your Turntable

- 4.1 Playing A Record
 - 4.2 Turntable Operation
 - 4.3 Bluetooth Operation
 - 4.4 Bluetooth Transmitter Operation
 - 4.5AUX-IN Operation
-

EN

5 Needle Replacement

6 Troubleshooting

7 Technical Specifications

8 EC Declaration

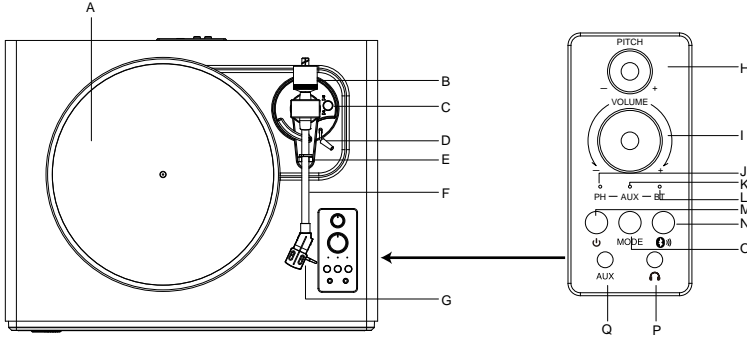
Read and understand this entire manual before using this product. Keep these instructions for future reference.

1. Do not use this product near water.
2. This product should be operated only by the type of power source indicated on the marking label or in this instruction manual.
3. Do not defeat the safety purpose of the polarized plug. A polarized plug has two blades with one blade wider than the other. This plug will fit into the power outlet only one way. If you are unable to insert the plug fully into the outlet try reversing the plug. If the plug should still fail to fit, contact your electrician.
4. Protect the power cord from being walked on or pinched particularly at plugs, convenience receptacles, and the point where they exit from the product.
5. Do not overload wall outlets, extension cords, or integral convenience receptacles as this can result in a risk of fire or electric shock.
6. Never push objects of any kind into this product through openings as they may touch dangerous voltage points or short-out parts that could result in a fire or electric shock. Never spill liquid of any kind on the product.
7. Do not attempt to service this product yourself as opening or removing covers may expose you to dangerous voltage or other hazards. Refer all servicing to qualified service personnel.
8. Changes or modifications to this unit not expressly approved by the party responsible for compliance could void the user's authority to operate the equipment.
9. Do not use attachments not recommended by the product manufacturer as they may cause hazards.
10. A product and cart combination should be moved with care. Quick stops, excessive force, and uneven surfaces may cause the product and cart combination to overturn.
11. Slots and openings in the cabinet are provided for ventilation and to ensure reliable operation of the product and to protect it from overheating. Do not block or cover these openings.
12. Unplug the product during lightning storm or when unused for long periods of time.

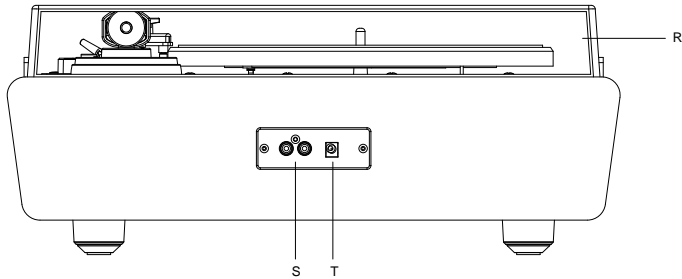
EN

Product overview

2.1 Top view



2.2 Back View



EN

#	ITEM	DESCRIPTION
A	Turntable Platter	Aluminum Alloy Turntable
B	Counter Weight	Turn To Adjust The Needle Pressure
C	RPM Selector Switch	Turn To Select The Record Type (33 or45) Speed Of Your Turntable
D	Tone Arm Lifter	Push Forward And Pull Back To Raise And Lower Tone Arm
E	Tone Arm Rest Holder	Place The Tone Arm On This Holder When Not In Use
F	Tone Arm	Hole The Stylus That Produces Sound From The Record
G	Stylus	Generates Sound From A Playing Recorg
H	Pitch Control	Turn The Control To Adjust The Speed
I	Volume Control	Turn The Control To Adjust The Volume

#	ITEM	DESCRIPTION
J	PH Indicator	When Phone Mode Select, The Light Will Turn Red
K	Aux Indicator	When Axu Mode Select, The Light Will Turn Red
L	BT Indicator	When BT Mode Select, The Light Will Turn Red And Flash
M	Power Button	Press The Button To Turn On Unit
N	BT Transmitter	Set The Mode Selection Dial On The Record Player To Phono And Long Press The Transmit Button To Begin The Pairing Process.
O	Mode Button	Press The Button To Select PH/AUX/BT
Q	Aux In Jack	Connect To An External Audio Device And Play Music
P	Headphone Jack	Listen Music Via A Headphone
R	Dust Cover	Install Dust Cover Before Use
S	RCA Out Jack	Plug The Included RCA Cable Into The This Jack Mare Red To Red And White To White
T	DC In Power Jack	Connect The DC Plug Into DC IN Power Jack

Setting Up Your Turntable

You need to install the turntable before you can use it.

1. Take the accessories out of the packing case and check taht the accessories are in complete and good condition

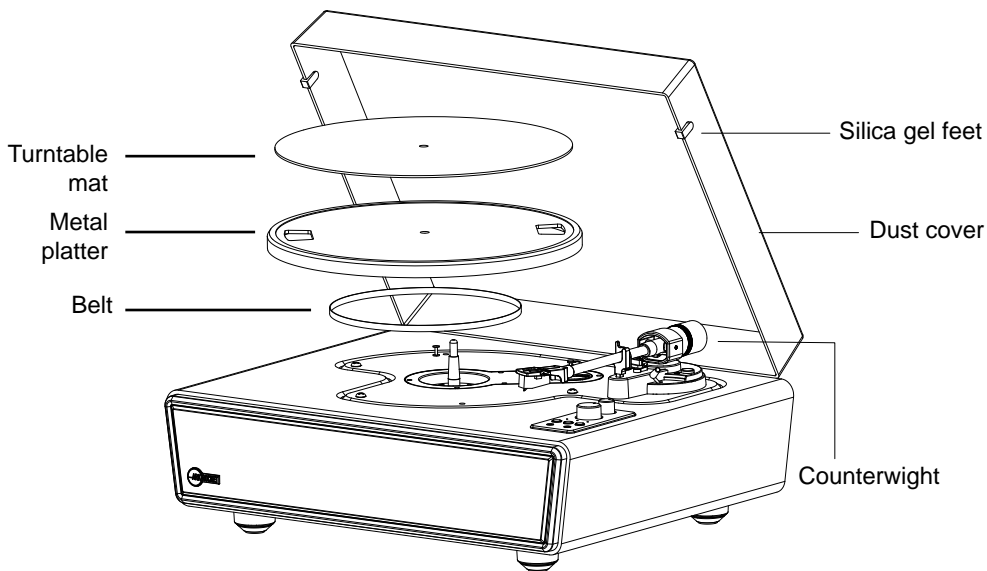
EN

#	Accessory	Quantity
1	Line in cable	1 pcs
2	Power adapter	1 pcs
3	Counter weight	1 pcs
4	45 RPM adapter	1 pcs
5	Turntable mat	1 pcs
6	Two belts	2 pcs (one installed and one spare)
7	User guide	1 pcs
8	Install dust cover	1 pcs

2. Install the metal platter(the belt is pre-installed on the bottom of the metal platter) and a turntable mat on the metal platter.

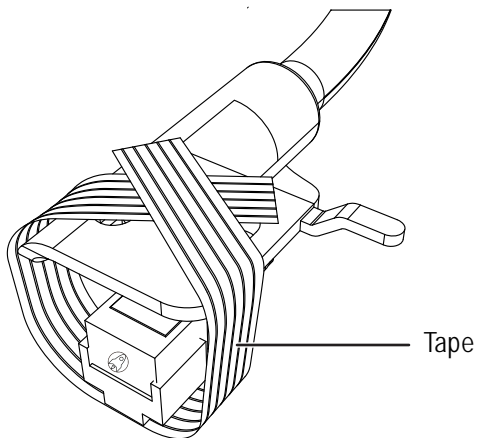
3. Install dust cover.

4. Attach and adjust the counterweight.



5. Carefully remove the tape. Too much force will damage the cover and stylus.

EN

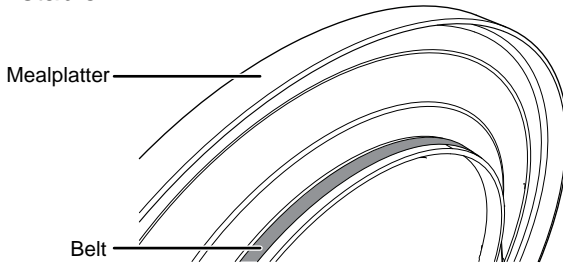


3.1 Installing the platter and turntable mat

Note: The belt is pre-installed on the bottom of the metal platter.

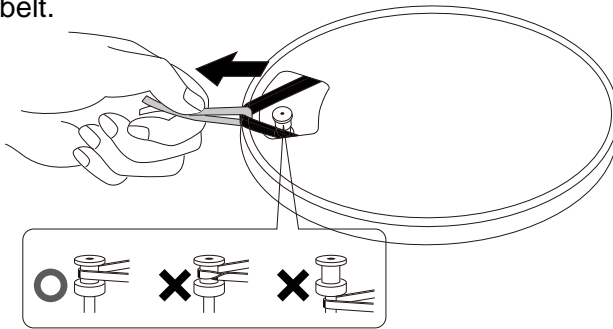
Turn the platter over and check the belt position

Make sure that the drive belt is looped in the middle of the circle. The drive belt located too high or too low in this circle may cause the drive belt to fall off or speed to be unstable.



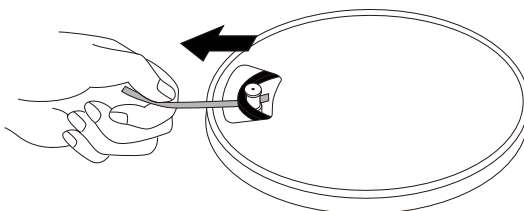
1. Place the belt on the motor pulley.

Align one of the platter openings with the motor pulley, and while pulling both ends of the red ribbon that comes attached to the belt, place the belt on the motor pulley, as per the diagram. When doing this, be careful not to twist the belt.



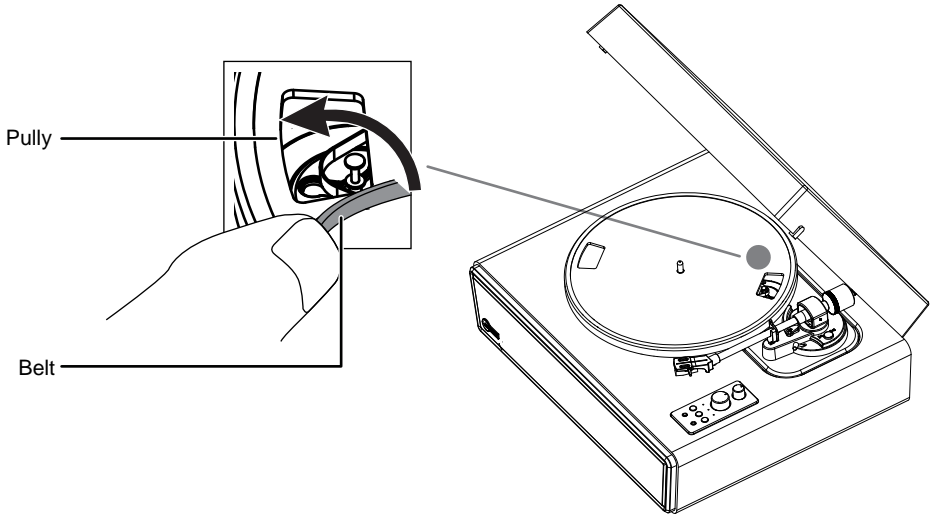
EN

Remove the red ribbon from the belt.



2. While still holding the belt, flip the platter over and place it onto the spindle in the center of your turntable.

3. Align the round hole in the platter with the pulley and hook the belt onto the pulley using your finger.

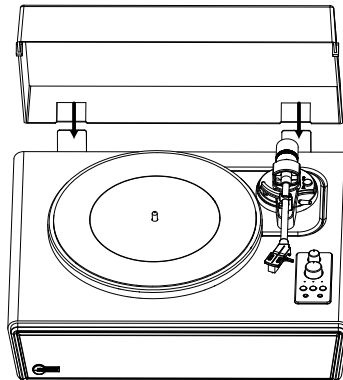


4. Place the turntable mat on the platter.

Note: When you want to take out the platter from the turntable, remove the mat first, then grasp the platter and pull it upward. This is especially important if you are shipping your turntable to prevent the platter from shaking.

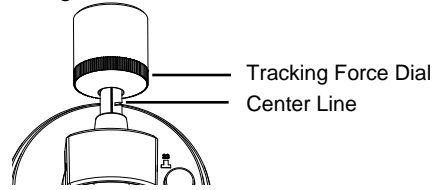
3.2 Installing the Lid

Insert the hinge pockets of the lid onto the hinges of the turntable

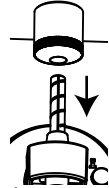


3.3 Cartridge Tracking Force Adjustment

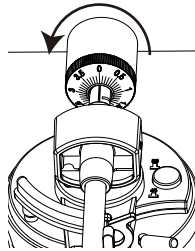
The supplied Counterweight is suitable for cartridges weighing between 3.0-6.0g



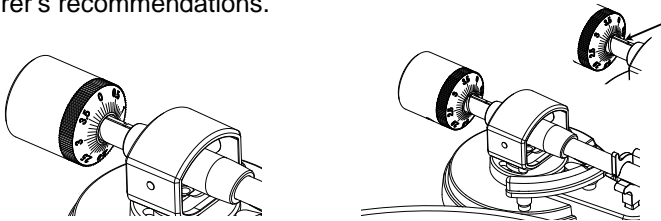
1. Gently push and turn the counterweight onto the rear of the tonearm (with the dial facing toward the front of the turntable)



2. Hold the counterweight with the black number ring on the counterweight you, and then slightly push the counterweight into the end of tone arm.



3. Finally, rotate the counterweight and tracking force dial together counterclockwise (as seen from the front) to adjust the tracking force according to the cartridge manufacturer's recommendations.



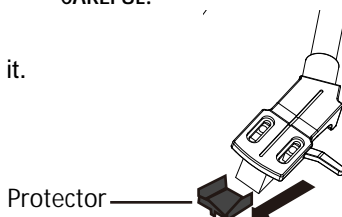
Note: Each mark on the scale represents 0.1g. The recommended tracking force for the factory-installed cartridge is 3.5g ± 0.5. Carefully rotate the tracking force dial. When "3.5" is centered over the black line on the top of the tonearm please stop.

4. Playing a Record

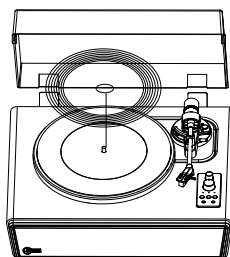
4.1 Before playing a record

4.1.1 Pull the protector straight forward to remove it.

NOTE: Applying a downward force may cause the stylus to come off the body. Only low volume is output if the stylus has come off, or is about to come off, so refer to “Replacing the stylus” to reattach the stylus correctly.



4.1.2 Place the record on the felt mat so that the center hole aligns with the spindle



4.2. Turntable Operation

Sufficiently lower the volume of the amplifier and speakers first

- 4.2.1 Connect the include power adaptor to the turntable, turn the power switch on, set the mode selection dial on PH position. the indicator light will show RED.
- 4.2.2 Remove the stylus protector from the stylus
- 4.2.3 Place the record on the slip mat.
- 4.2.4 Press the Speed Selector button to switch between 33 and 45 RPM speeds according to the type of record.
- 4.2.5 Unlock the tonearm clip and set the tonearm lift lever to the up positing.
- 4.2.6 Position the tonearm over the desired location(groove) on the record.
- 4.2.7 Carefully lower the tonearm on the record.
- 4.2.8 Turn up the volume of the turntable as needed.
- 4.2.9 When the disc has finished playing the turntable will stop turning automatically, lift the tone arm and return it to the tone arm rest

EN

4.3 Bluetooth Operation

- 4.3.1. Connect the included power adaptor to the turntable and turn the power switch on BT mode the red indicator light flash quickly.
- 4.3.2. Turn on the Bluetooth feature of your media device and search for and select “Arkrocket Huygens” to pair the media device and turntable.

4.3.3. Once your media device is successfully paired with the turntable, the turntable will play a short confirmation sound

4.3.4. Play and stream music from your media device to the turntable. The indicator light will become solid.


*Note:*Bluetooth version:5.0


4.4 Bluetooth Trasmmitter Operation

4.4.1. Connect the included power adaptor to the turntable.

4.4.2. Switch the record player on, then set the volume on both devices to low to begin with.

4.4.3. Set the mode selection dial on the record player to PHONO to play

4.4.4. Long press the  button (ON) to begin the pairing process, the operation indicator light in blue once the connection has been established.

4.4.5. Play the music from the turntable to a media device, If you wish to end playback, long press the  button again(OFF) to deactivate the transmitter function.

4.5AUX-IN Operation

This turntable includes an auxiliary audio signal input jack for connecting external audio devices like MP3 players, CD players, and older, nondockable iPods so you can listen to your external source through the turntable's speakers.

4.5.1. Use an audio cable included with one 3.5 mm stereo connection on each end of the cable.

4.5.2. Plug one end into the AUX-IN jack on the turntable and the other end the Line Out jack of the audio device.

4.5.3. Power on the turntable and audio device. The indicator light of turntable is red.

4.5.4. The volume level can be controlled through the turntable. Operate all the functions on the auxiliary device as usual.

EN

NOTE:

1. Make sure the tone arm is securely locked to avoid any damage.

2. When you are done, don't forget to turn off the power on the turntable and your external device.

5. Needle Replacement

Removing Needle

1. Gently pull down the front edge of the needle.
2. Pull needle forward.
3. Pull out and remove.

Installing Needle

1. Position the needle with its tip facing down.
2. Line up the back of the needle with the cartridge.
3. Insert the needle with its front end at a downward angle and gently lift the front of the needle upward until it snaps into place.

6. Troubleshooting

Potential Incorrect Use and Fault Conditions:

These turntables are manufactured to the highest standards and undergo strict quality controls before leaving the factory. Faults that may possibly occur are not necessarily due to material or production faults but can sometimes be caused by incorrect use or unfortunate circumstances. Therefore the following list of common fault symptoms is included.

There is no power

- Power adaptor is not connected correctly.
- No power at the power outlet.

Power is on, but the platter does not turn

- Turntable's drive belt is not installed or has slipped off.

Turntable is spinning, but there is no sound, or sound not loud enough

- Stylus protector is still on.
- Tone arm is lift up by the lever.

Record sounds too fast or too slow.

- Wrong speed selected for the record.

Is the belt placed on the motor pulley?

Check that the belt is placed on the motor pulley (brass-colored) correctly

Has the belt been damaged?

Replace it with a new belt.

Strong hum on phono input

- The cable is not grounded correctly.
- Turntable too close to speakers.

7 Technical Specifications

Model number	PH78-DWT
Bluetooth version	JL5.1
Input	AC 100-240V ~50/60Hz
Power supply	12V---2000mA
Speaker driver	4 INCH
Speaker power	2 X 15W
Dimensions	H202*W470*D367MM
Weight	9.05kg
Stylus sku:	AR-N60

Information on Waste Disposal for Consumers of Electrical & Electronic Equipment



This mark on a product and/or accompanying documents indicates that when it is to be disposed of, it must be treated as Waste Electrical & Electronic Equipment (WEEE).

Any WEEE marked waste products must not be mixed with general household waste, but kept separate for the treatment, recovery and recycling of the materials used.

For proper treatment, recovery and recycling; please take all WEEE marked waste to your Local Authority Civic waste site, where it will be accepted free of charge.

If all consumers dispose of Waste Electrical & Electronic Equipment correctly, they will be helping to save valuable resources and preventing any potential negative effects upon human health and the environment, of any hazardous materials that the waste may contain.